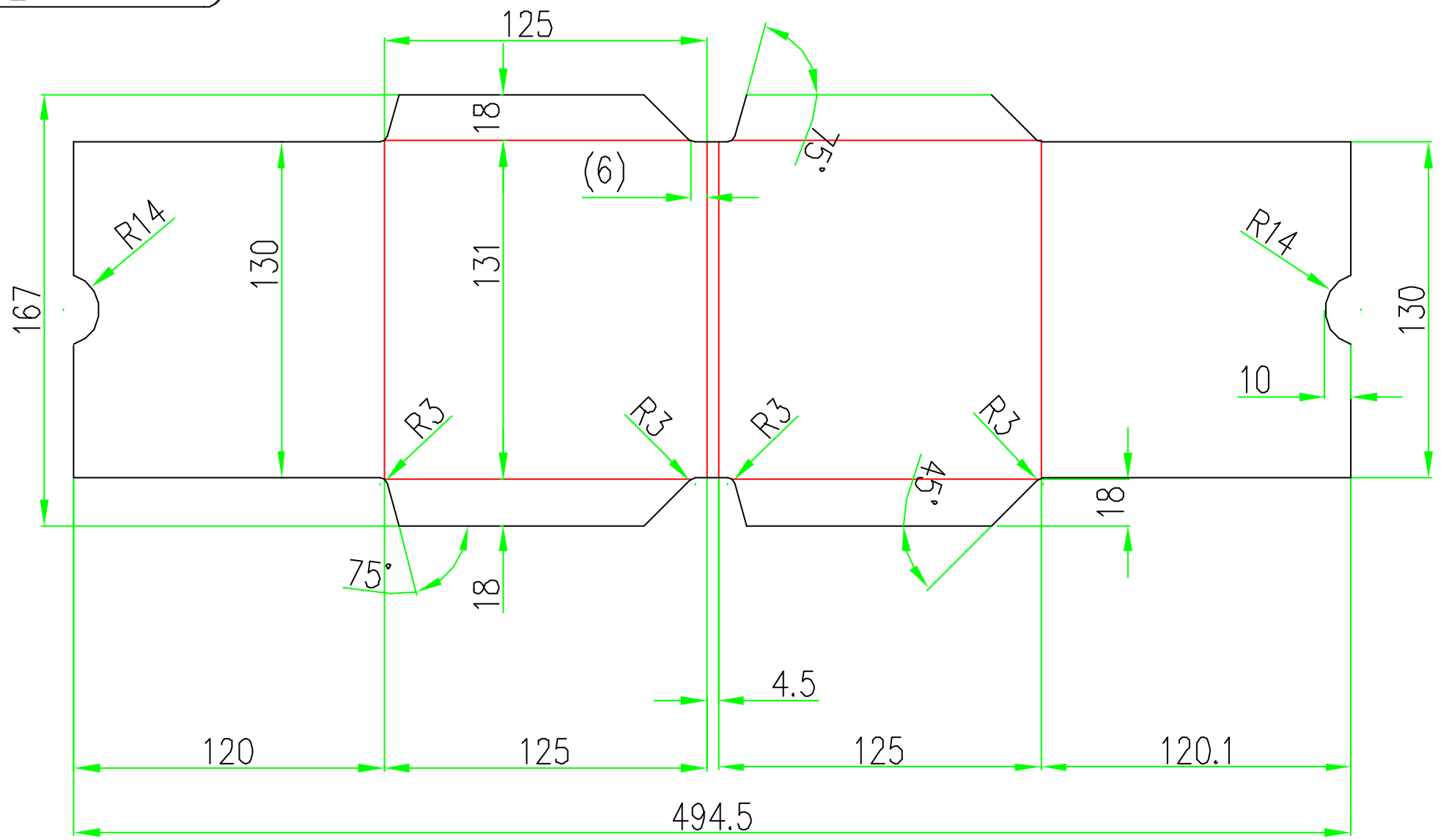
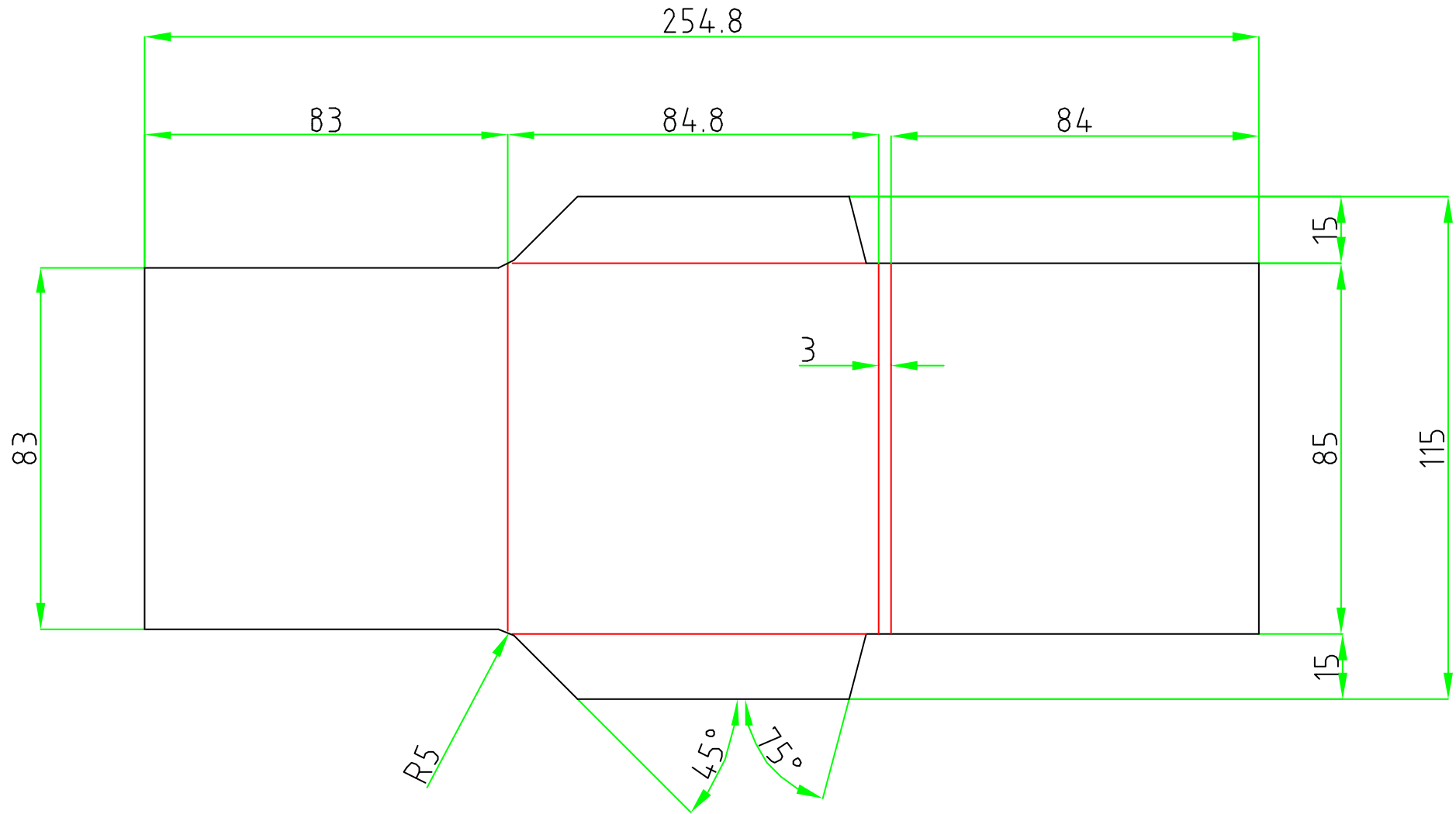


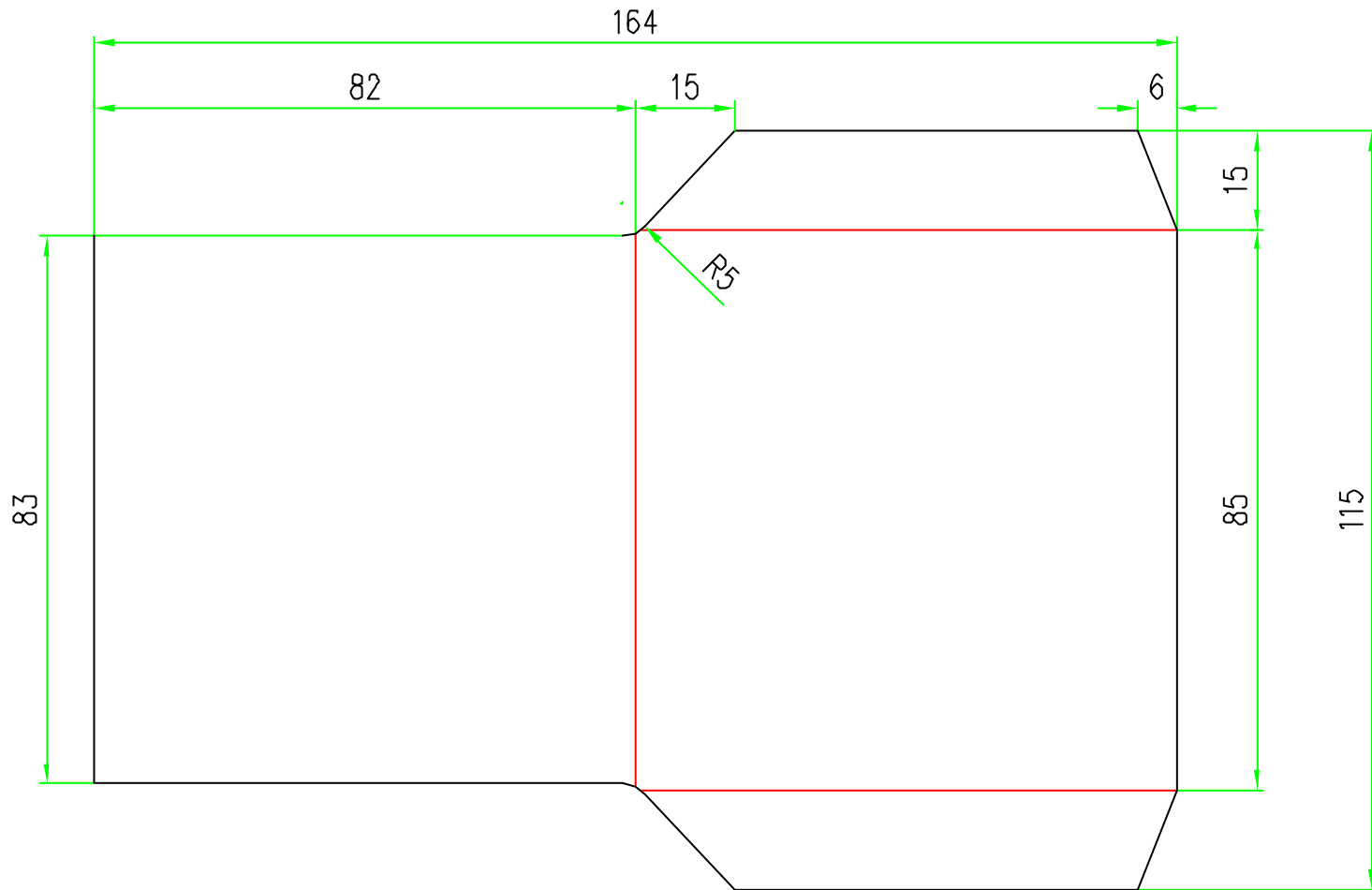
Code description: Sleeve 125 mm	Mat: Cardboard	Addition for bleed 3mm	Line width:min. 0,1 mm	Code: P	standard print.Varnish PUV...uv Varnish PL...Laminate
	Paper weight: 280 gr	Colouring: CMYK+1	Screening: 150 Lpi		
	White/white, White/grey	Font size:min.6 PT	Modification:Varnish,UV,lam		



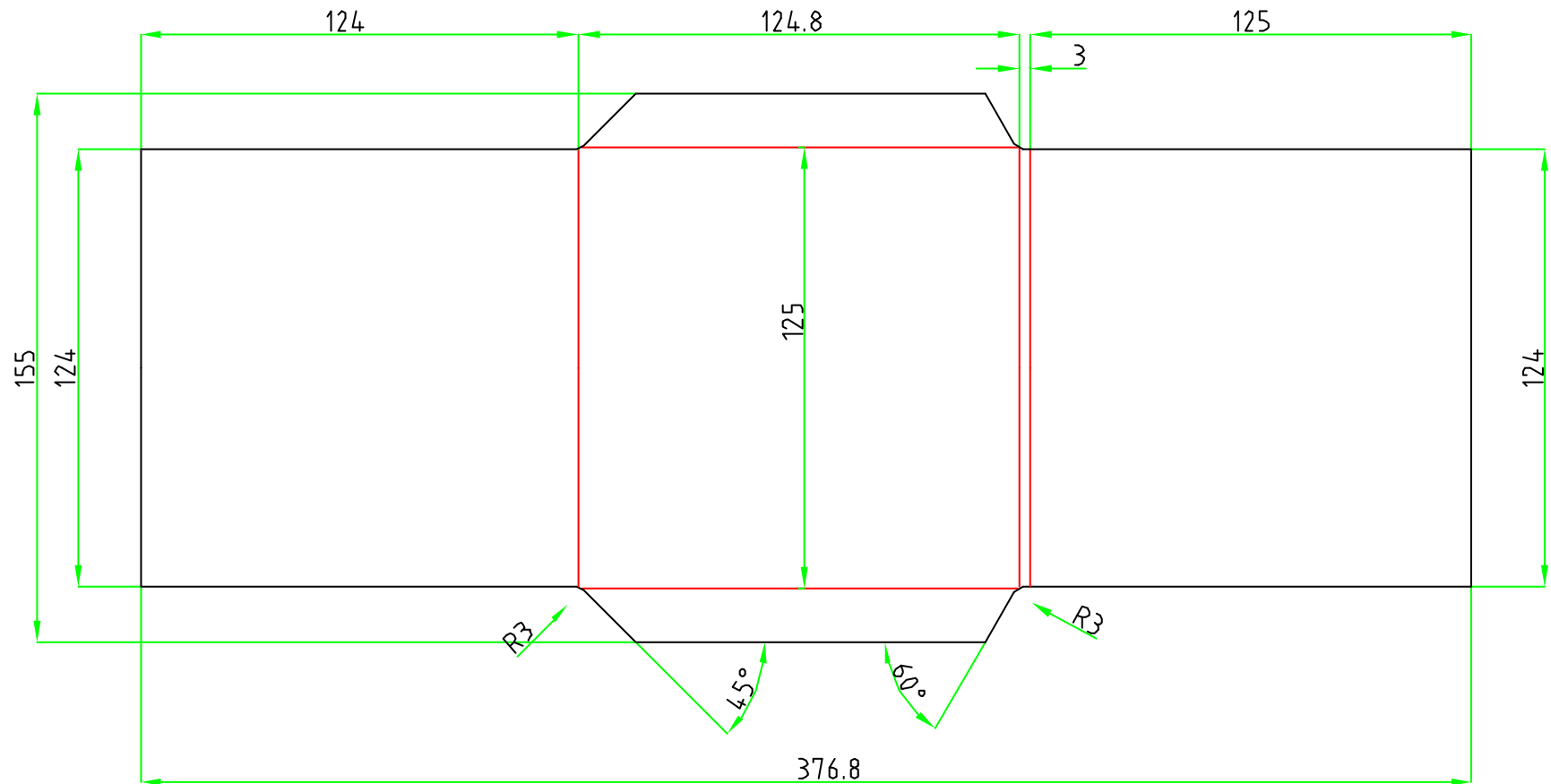
Code description: Double sleeve	Mat: Cardboard	Addition for bleed 3mm	Line width: min. 0,1 mm	Code: P2	standard print.Varnish PUV2...uv Varnish PL2...Laminate
	Paper weight: 280 gr White/white, White/grey	Colouring: CMYK+1	Screening: 150 Lpi		
	Font size: min.6 PT	Modification: Varnish, UV, lam			



Code description: Sleeve single CD with flap	Mat: Cardboard	Addition for bleed 3mm	Line width: min. 0,1 mm	Code: P8/1	standard print.Varnish PUV8/1...uv Varnish PL8/1...Laminate
	Paper weight: 280 gr White/white, White/grey	Colouring: CMYK+1	Screening: 150 Lpi		
	Font size: min.6 PT	Modification: Varnish, UV, lam			



Code description: Sleeve single	Mat: Cardboard	Addition for bleed 3mm	Line width:min. 0,1 mm	Code: P8	standard print.Varnish PUV8...uv Varnish PL8...Laminate
	Paper weight: 280 gr White/white, White/grey	Colouring: CMYK+1	Screening: 150 Lpi		
	Font size:min.6 PT	Modification:Varnish,UV,lam			



Code description: Sleeve with flap	Mat:Cardboard	Addition for bleed 3mm	Line width:min. 0,1 mm	Code: P/1	standard print.Varnish PUV/1...uv Varnish PL/1...Laminate
	Paper weight: 280 gr White/white, White/grey	Colouring: CMYK+1	Screening: 150 Lpi		
	Font size:min.6 PT	Modification:Varnish,UV,lam			